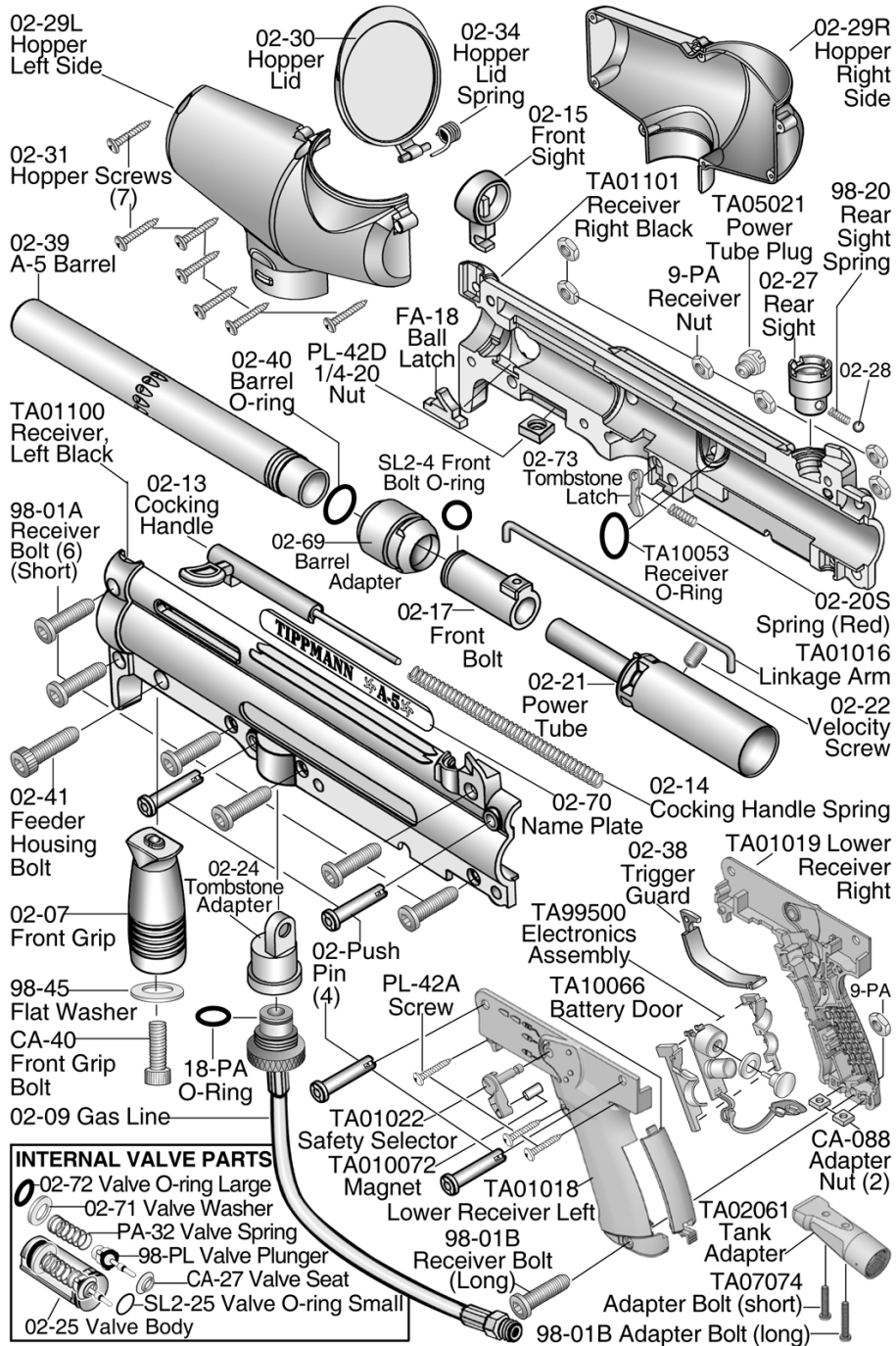


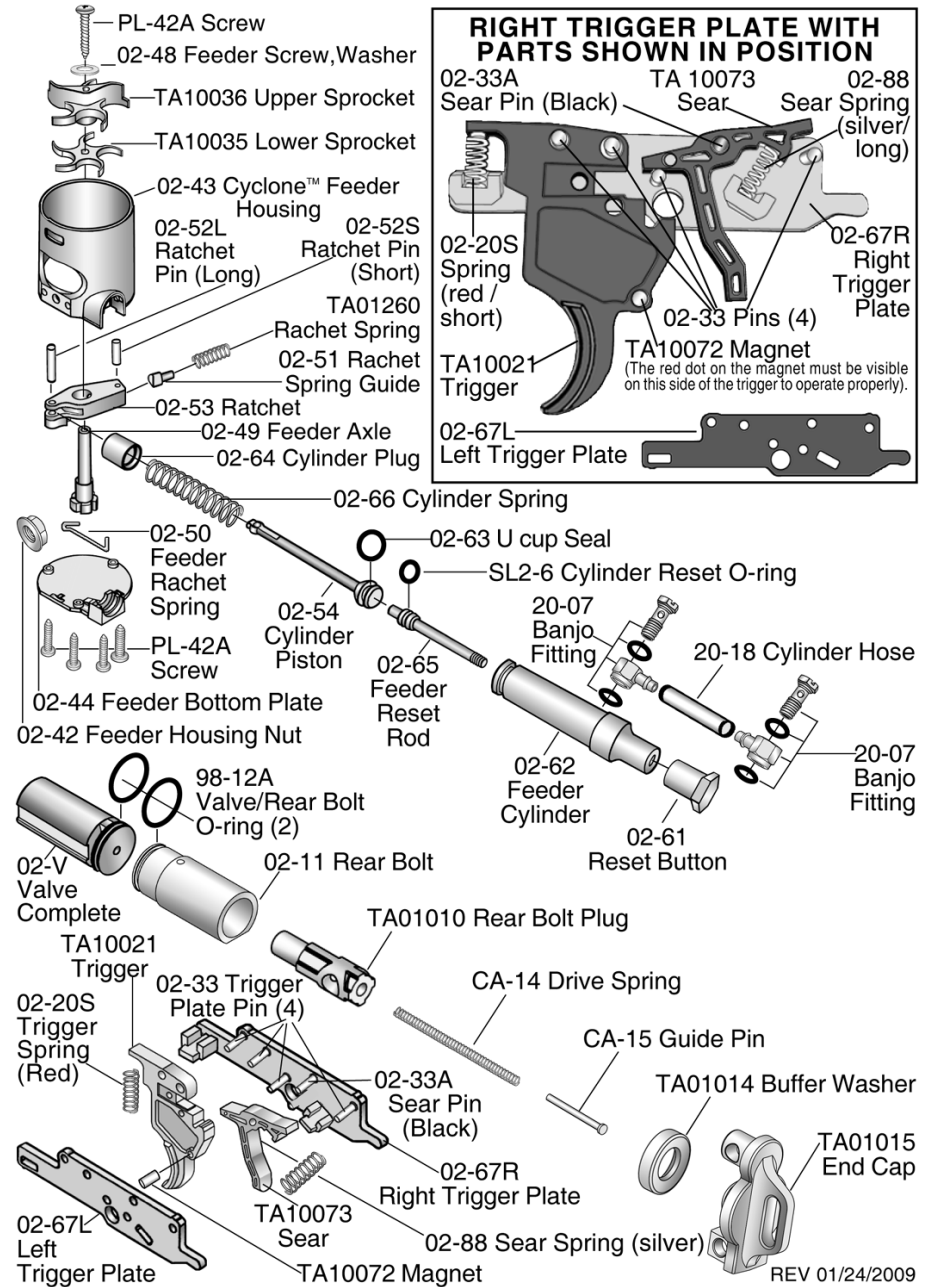
# TIPPMANN®

**A-5**  
WITH E-GRIP™ PARTS LIST



## WARNING

**DO NOT DISASSEMBLE THIS MARKER WHILE IT IS PRESSURIZED WITH AIR. DO NOT PRESSURIZE A PARTIALLY ASSEMBLED MARKER.**



REV 01/24/2009

1-800-533-4831 • www.tippmann.com